

ARX 23

LIGHT TANDEM VIBRATORY ROLLER Tier 4i

A SLIGHTLY HEAVIER OPTION

The Ammann ARX 23 Tandem Roller is compact and able to work flush against curbs and other obstructions. But it is heavier than the lightest Ammann Tandem Roller models, making it a good fit for jobs that require a bit more weight and drum width. The roller has compaction power output of 41 kN. It weighs 2250 kg and has a drum width of 1000 mm. An electronic drive lever makes for smooth starting and stopping.

COMPACTION PERFORMANCE

- Double drive
- Single or double vibration
- Optimal drum diameter
- Balanced weight front and rear
- 2 frequencies with 2 centrifugal forces

EASY MAINTENANCE

- Reliable, long-life vibration system
- Outside drain plugs for quick fluid changes
- Bearings and central articulated joint lubricated for the machine's life
- Easy access to maintenance points, water filters and nozzles
- Long service life and extended service intervals

EASY OPERATION

- Electronic drive lever for smooth starts and stops
- Rubber-mounted platform that limits vibration
- Intuitive, ergonomic instrument panel
- Tight turning radius

EXCELLENT VISIBILITY

- Unobstructed view to drums
- Sliding operator's seat

TRANSPORTABILITY

- Compact design for easy loading
- Light weight
- Foldable ROPS

REDUCED MATERIAL PICKUP

- Multiple water nozzles
- 2 scrapers per drum

APPLICATIONS

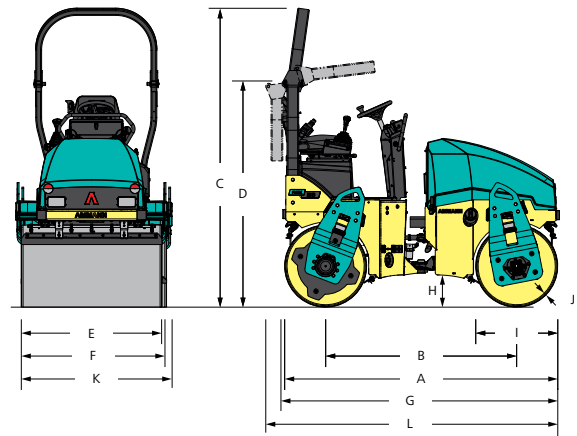
- Small and medium construction sites
- City roads
- Boardwalks
- Repair works in city centre

AMMANN

TECHNICAL SPECIFICATIONS
ARX 23 LIGHT TANDEM VIBRATORY ROLLER

DIMENSIONS

A	MACHINE LENGTH	2330 mm (91.7 in)
B	WHEELBASE	1630 mm (64.2 in)
C	MACHINE HEIGHT	2550 mm (100.4 in)
D	MACHINE HEIGHT (FOLDED ROPS)	1930 mm (76 in)
E	DRUM WIDTH	1000 mm (39.4 in)
E	TIRE-AXLE WIDTH	-
F	MACHINE WIDTH	1042 mm (41 in)
G	MACHINE LENGTH	2369 mm (93.3 in)
H	GROUND CLEARANCE	275 mm (10.8 in)
I	DRUM DIAMETER	700 mm (27.6 in)
J	DRUM SHELL THICKNESS	13 mm (0.5 in)
K	MACHINE WIDTH (TOTAL)	1129 mm (44.4 in)
L	MACHINE LENGTH (FOLDED ROPS)	2506 mm (98.7 in)



COMPACTION FORCES

AMPLITUDE	0.42 mm (0.02 in)
FREQUENCY AT 2100 / 2400 RPM	58/66 Hz (3480/3960 VPM)
CENTRIFUGAL FORCE – MAX.	41 kN

MISCELLANEOUS

BATTERY / CAPACITY	12/77 V/Ah
WATER TANK	200 l (52.8 gal)
HYDRAULIC TANK	16 l (4.2 gal)
DIESEL FUEL TANK	40 l (10.6 gal)
WHEEL LOAD	-
NUMBER OF WHEELS	-
TIRE SIZE	-

WEIGHT & OPERATING CHARACTERISTICS

OPERATING WEIGHT CECE	2250 kg (4960.4 lb)
OPERATING WEIGHT MAX.	2550 kg (5621.8 lb)
STATIC LINEAR LOAD (FULL-FLUSH)	11.3 kg/cm (24.9 lb)
TURNING RADIUS INSIDE	2350 mm (92.5 in)
STEERING / OSCILLATING ANGLE	32/8 ±°
DRUM OFFSET	40 mm (1.57 in)

ENGINE

ENGINE TYPE	YANMAR 3TNV88
EMMISSION CLASS	EU Stage IIIA / EPA Tier 4i
POWER OUTPUT ISO 3046	22.2 kW / 29.8 HP
CYLINDER / LTR.	3 cyl / 1642 No./ccm
1. / 2. WORKING SPEED	2100 / 2400 rpm
TRAVEL SPEED KM/H	10 km/h (6.2 MPH)
GRADEABILITY WITH / WITHOUT VIBR.	30 % / 40 %



STANDARD

- Front and rear vibration and drive
- Control system with emergency stop
- Pressurised pulse interval sprinkler system
- Ammann Vibration Control
- Lateral sliding seat
- 2 working frequencies
- Hydraulic test ports

OPTIONAL EQUIPMENT

- CE-Kit with folding ROPS and working lights
- Road lighting
- Canopy
- Asphalt thermometer
- Reverse alarm
- Battery disconnection switch
- Central lifting hook
- ATC – Ammann Traction Control
- Arm rests
- Second drive-lever, left
- Edge-cutter incl. multi-function lever
- Bio-degradable hydraulic oil
- Drums in line
- Customer colour
- Central lifting hook
- FOPS canopy
- ACE^{force}
- Additional working lights (ROPS mounted)
- Warning beacon
- Foldable scrapers
- Weather canopy

For additional product information and services please visit:
www.ammann-group.com

Specifications are subject to change.

MSS-1219-00-EN | © Ammann Group | Images: © www.fotopizza.com

