

# ARW 65

## WALK BEHIND ROLLER



### A 2-IN-1 MACHINE

The ARW 65 provides two-in-one capabilities that make it the perfect fit for every construction company. A high-amplitude setting provides a walk-behind roller that performs like it was custom built for work on soils and aggregates. By simply adjusting to the low-amplitude the operator can change to a roller that is a perfect fit on asphalt and bituminous materials. The machine is available with Hatz or Yanmar diesel engines, leaving the engine choice up to the customers preferences.

### SOIL AND BITUMEN APPLICATION

- High-amplitude setting for work on gravel/soil.
- Low-amplitude setting for asphalt and bituminous materials.
- Scrapers, sprinkler system and large water tank for work on bituminous material already installed.

### HYDRAULIC DRIVE

- Ensures variable speed adjustment.
- Offers smooth starting/braking action.
- Low maintenance costs due to hydro-static drive and vibration

### TWO AMPLITUDES EXCITER

- Big amplitude for substructure
- Small amplitude for asphalt

### EFFICIENCY ON EDGES

- Clearance on both drum sides allows compaction work extremely close to obstacles.
- No time-consuming reworking on edges is needed.

### SAFETY FIRST

- Safety handle stops machine when operator loses grip on machine.
- Safety handle changes direction to forward when the machine comes too close to the operator in reverse mode.
- In reverse mode the roller's speed limit is set to 2.5 km/h as a safety regulation to protect the operator.

### APPLICATIONS

- Earthwork and asphalt applications
- Sidewalk/cycle paths construction/repair
- Sport grounds
- Agricultural roads construction/maintenance
- Forest road construction/maintenance

**AMMANN**

TECHNICAL SPECIFICATIONS  
ARW 65 WALK BEHIND ROLLER

**WEIGHT & DIMENSIONS**

	HATZ	YANMAR
OPERATION WEIGHT CECE	719 kg (1585 lb)	712 kg (1569 lb)
NET WEIGHT STANDARD MACHINE	687 kg (1514 lb)	695 kg (1496 lb)
A MACHINE LENGTH	2288 mm (90.1 in)	2288 mm (90.1 in)
B DRUM AXLE WIDTH	500 mm (19.7 in)	500 mm (19.7 in)
C DRUM DIAMETER	400 mm (15.7 in)	400 mm (15.7 in)
D MACHINE HEIGHT	1110 mm (43.7 in)	1110 mm (43.7 in)
E TRANSPORT HEIGHT	1835 mm (72.2 in)	1835 mm (72.2 in)
F MACHINE WIDTH	720 mm (28.6 in)	720 mm (28.6 in)
G DRUM WIDTH	650 mm (28.3 in)	650 mm (28.3 in)

**ENGINE**

ENGINE	Hatz 1D42S	Yanmar L100N
FUEL	Diesel	Diesel
ENGINE OUTPUT	6.1 kW. 8.3 HP	6.1 kW. 8.3 HP
AT RPM	2800	2600
FUEL CONSUMPTION	1.7 l/h (0.4 gal/h)	1.2 l (0.32 gal/h)

**COMPACTION FORCES**

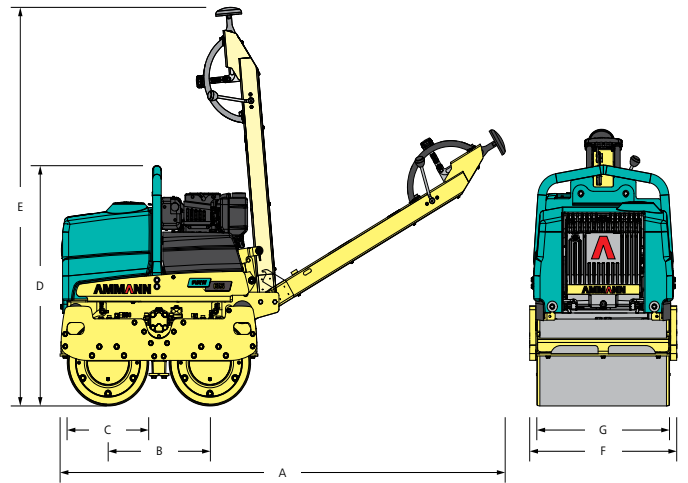
MAX. VIBRATION FREQUENCY	60 Hz (3300 vpm)	60 Hz (3300 vpm)
MAX. CENTRIFUGAL FORCE	13/18 kN (2.9/4 lbf)	13/18 kN (2.9/4 lbf)
LINEAR PRESSURE	5 kg/cm (28 lb/in)	5 kg/cm (28 lb/in)
MAX. COMPACTION DEPTH (SOIL)	20/15 cm (7.9/5.9 in)	20/15 cm (7.9/5.9 in)
MAX. COMPACTION DEPTH (SAND)	30/25 cm (11.8/9.8 in)	30/25 cm (11.8/9.8 in)

**MISCELLANEOUS**

SPEED (FORWARD)	4 km/h (2.5 mph)	4 km/h (2.5 mph)
SPEED (BACKWARD)	2.5 km/h (1.6 mph)	2.5 km/h (1.6 mph)
GRADEABILITY W./W.O. VIBRATION	25 % / 45 %	25 % / 45 %
FUEL CAPACITY	5 l (1.1 gal)	5 l (1.1 gal)
HYDRAULIC OIL CAPACITY	20 l (4.4 gal)	20 l (4.4 gal)
WATER TANK CAPACITY	60 l (13 gal)	60 l (13 gal)

**STANDARD EQUIPMENT**

- Hydrostatic adjustable eccentric weights for 2 different centrifugal forces
- Ergonomic and low vibration handle
- Dead man's handle for operator safety
- Integrated hydraulic parking brake
- 60 l water tank with sprinkler system
- Scrapers on front and back drum
- Electric starter (Yanmar version)
- 3 year extended warranty program



**OPTIONAL EQUIPMENT**

- Operating hour meter
- Protection frame in front
- Electric starter (Hatz version)